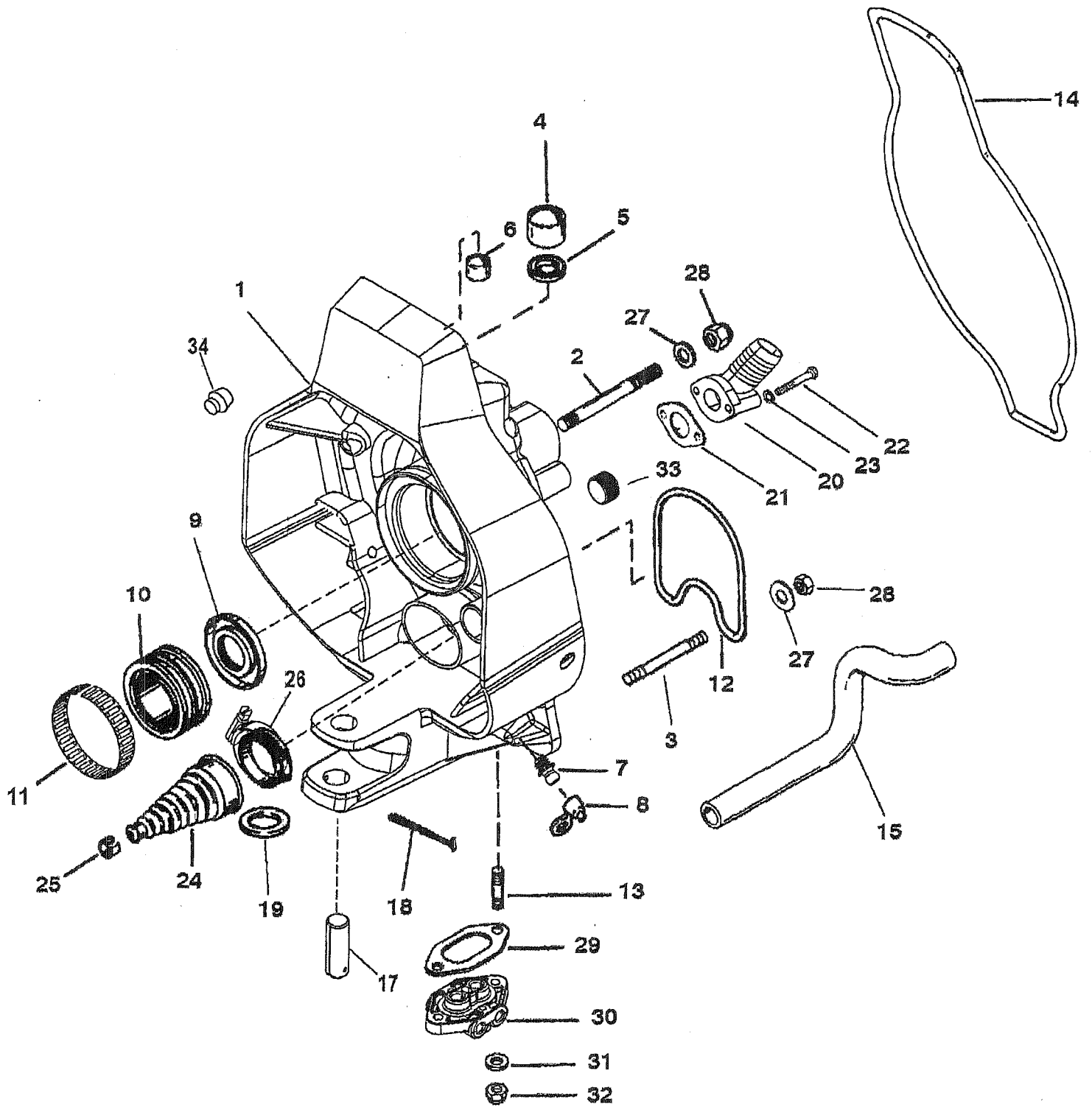
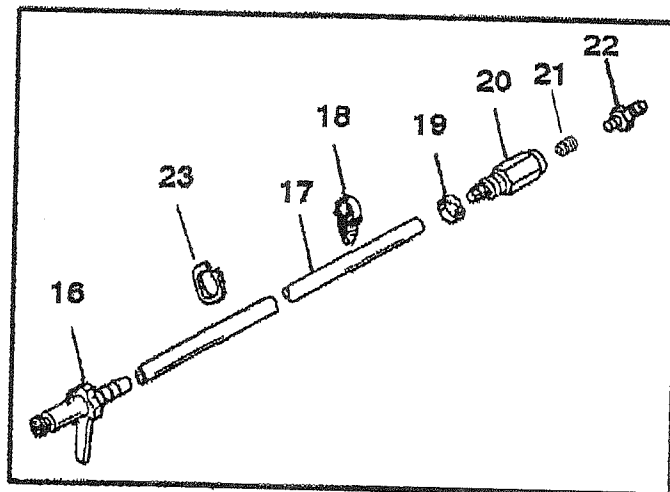
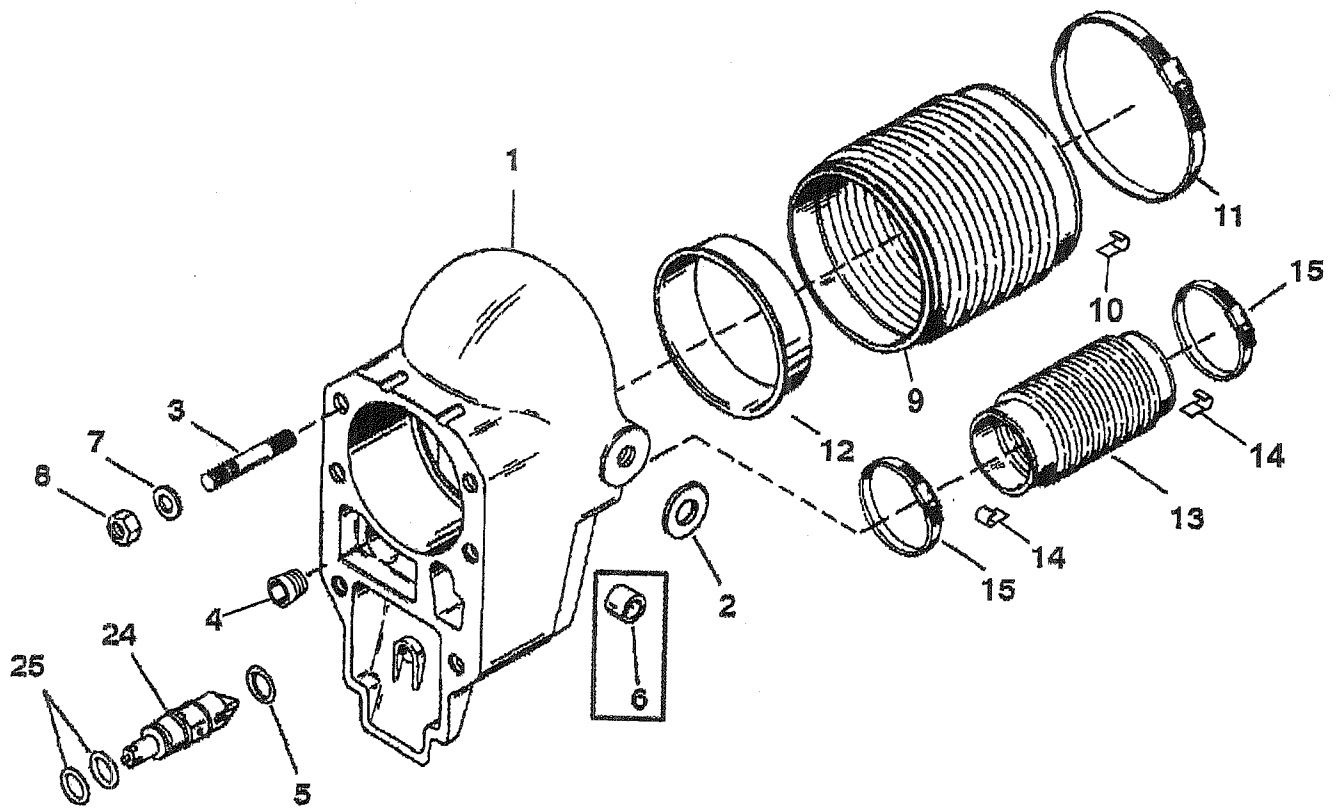


90-880951 00, GIMBAL RING AND STEERING LEVER



**NOTE: FOR CONTINUITY CIRCUIT COMPONENTS, SEE "CONTINUITY KIT"**

**NOTE: ACCESS HOLE PLUG KIT (22-88847A1) CONTAINS ALL NECESSARY PARTS TO ALLOW REMOVAL OF SWIVEL SHAFT WITHOUT REMOVING GIMBAL HOUSING.**



**NOTE: FOR CONTINUITY CIRCUIT COMPONENTS, SEE "CONTINUITY KIT"**

90-880951 00, BELL HOUSING